

# AMERICAN CRAFTSMAN WINDOWS SILVER LINE WINDOWS AND DOORS

## 70 SERIES / V3 SERIES/(5800) GLIDING PATIO DOOR (NON-HVHZ)(NON-IMPACT)

### GENERAL NOTES:

1. THE PRODUCT SHOWN HEREIN IS DESIGNED AND MANUFACTURED TO COMPLY WITH THE CURRENT EDITION FLORIDA BUILDING CODE (FBC), EXCLUDING HVHZ AND HAS BEEN EVALUATED ACCORDING TO THE FOLLOWING:
  - AAMA/WDMA/CSA 101/I.S.2/A440-11
2. ADEQUACY OF THE EXISTING STRUCTURAL CONCRETE/MASONRY, 2X FRAMING, AND METAL FRAMING AS A MAIN WIND FORCE RESISTING SYSTEM CAPABLE OF WITHSTANDING AND TRANSFERRING APPLIED PRODUCT LOADS TO THE FOUNDATION IS THE RESPONSIBILITY OF THE ENGINEER OR ARCHITECT OF RECORD FOR THE PROJECT OF INSTALLATION.
3. 1X AND 2X BUCKS (WHEN USED) SHALL BE DESIGNED AND ANCHORED TO PROPERLY TRANSFER ALL LOADS TO THE STRUCTURE. BUCK DESIGN AND INSTALLATION IS THE RESPONSIBILITY OF THE ENGINEER OR ARCHITECT OF RECORD FOR THE PROJECT OF INSTALLATION.
4. THE INSTALLATION DETAILS DESCRIBED HEREIN ARE GENERIC AND MAY NOT REFLECT ACTUAL CONDITIONS FOR A SPECIFIC SITE. IF SITE CONDITIONS CAUSE INSTALLATION TO DEVIATE FROM THE REQUIREMENTS DETAILED HEREIN, A LICENSED ENGINEER OR ARCHITECT SHALL PREPARE SITE SPECIFIC DOCUMENTS FOR USE WITH THIS DOCUMENT IN NON-HVHZ AREAS. IN HVHZ AREAS, ONE TIME PRODUCT APPROVAL TO BE OBTAINED FROM MIAMI-DADE RER OR AHJ.
5. APPROVED IMPACT PROTECTIVE SYSTEM **IS REQUIRED** ON THIS PRODUCT IN AREAS REQUIRING IMPACT RESISTANCE.
6. WINDOW FRAME MATERIAL: PVC
7. GLASS MEETS THE REQUIREMENTS OF ASTM E 1300 GLASS CHARTS. SEE SHEET 2.1 FOR GLAZING DETAILS.

| DESIGN PRESSURE TABLE |               |                 |                       |
|-----------------------|---------------|-----------------|-----------------------|
| SIZE                  | CONFIGURATION | DESIGN PRESSURE | MISSILE IMPACT RATING |
| 96.0" X 82.0"         | XO            | +50/-50 PSF     | NON-IMPACT            |
| 96.0" X 96.0"         | XO            | +30/-30 PSF     | NON-IMPACT            |
| 96.0" X 82.0"         | XO            | +15/-15 PSF     | NON-IMPACT            |
| 96.0" X 80.0"         | XO            | +20/-20 PSF     | NON-IMPACT            |
| 72.0" X 80.0"         | XO            | +35/-35 PSF     | NON-IMPACT            |
| 76.0" X 82.0"         | XO            | +25/-25 PSF     | NON-IMPACT            |

| TABLE OF CONTENTS |          |  |
|-------------------|----------|--|
| SHEET             | REVISION | SHEET DESCRIPTION                              |
| 1                 | B        | GENERAL NOTES                                  |
| 2                 | B        | ELEVATIONS & ANCHOR LAYOUTS                    |
| 2.1               | B        | ELEVATIONS & ANCHOR LAYOUTS & GLAZING DETAILS  |
| 3                 | B        | VERTICAL SECTIONS                              |
| 4                 | B        | HORIZONTAL SECTIONS                            |
| 5                 | B        | INSTALLATION NOTES & ANCHOR DETAILS & SCHEDULE |

AMERICAN CRAFTSMAN WINDOWS  
SILVER LINE WINDOWS AND DOORS

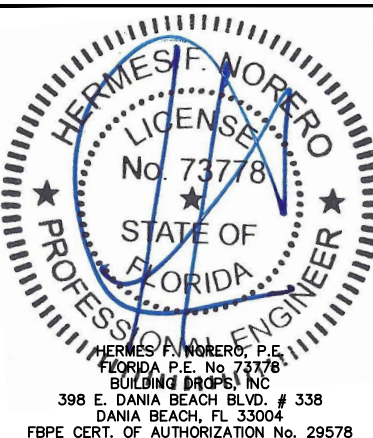
ONE SILVERLINE DRIVE  
NORTH BRUNSWICK, NJ 08902  
PH: (888) 741-0354

TITLE:  
70 SERIES / V3 SERIES / (5800)  
GLIDING PATIO DOOR  
(NON-HVHZ)(NON-IMPACT)  
GENERAL NOTES & GLAZING DETAILS

PREPARED BY:  
  
BUILDING DROPS, INC.  
398 E. DANIA BEACH BLVD., STE. 338  
DANIA BEACH, FL 33004  
PH: (954) 399-8478  
FAX: (954) 744-4738  
WEB: www.buildingdrops.com

| REMARKS         | BY | DATE  |
|-----------------|----|-------|
| 6TH FBC EDITION | FM | 10/17 |
| 7TH FBC EDITION | LH | 10/20 |
|                 |    |       |

THE INSTALLATION DETAILS DESCRIBED HEREIN ARE GENERIC AND MAY NOT REFLECT ACTUAL CONDITIONS FOR A SPECIFIC SITE. IF SITE CONDITIONS CAUSE INSTALLATION TO DEVIATE FROM THE REQUIREMENTS DETAILED HEREIN, A LICENSED ENGINEER OR ARCHITECT SHALL PREPARE SITE SPECIFIC DOCUMENTS FOR USE WITH THIS DOCUMENT.



FL #:  
**FL 14998**

DATE: **09.27.17**

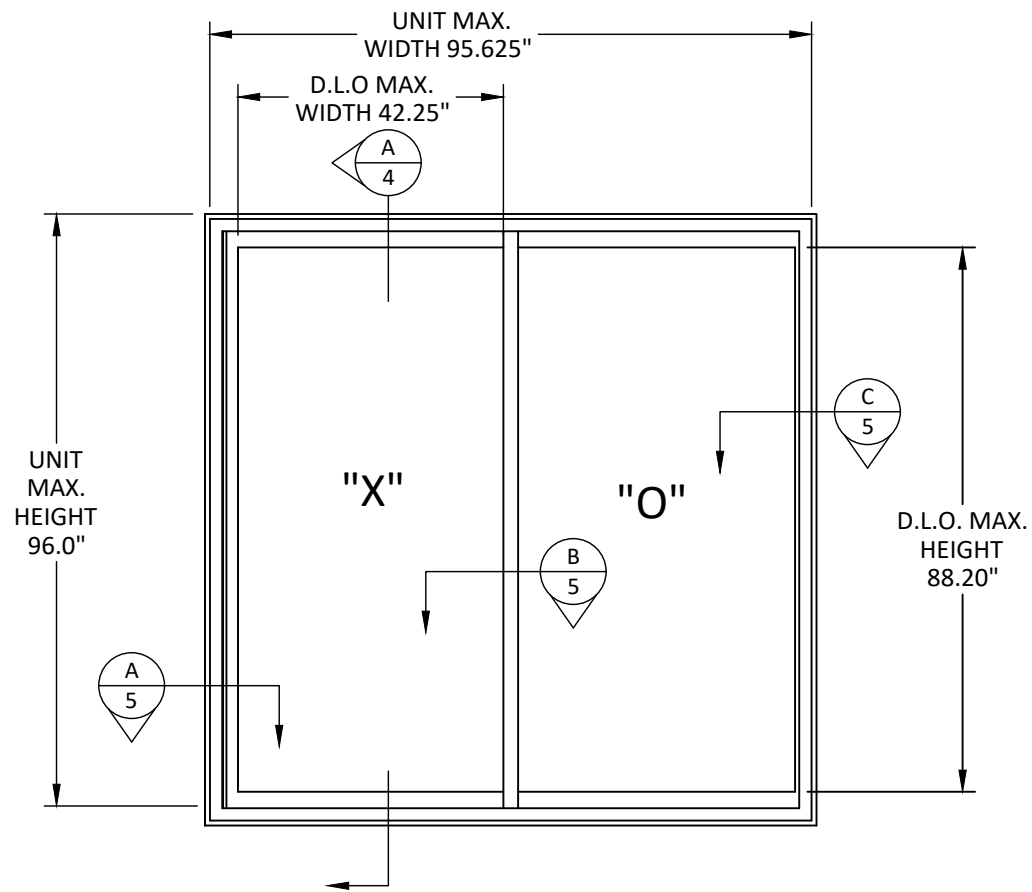
DWG. BY: **CL**      CHK. BY: **HFN**

SCALE: **NTS**

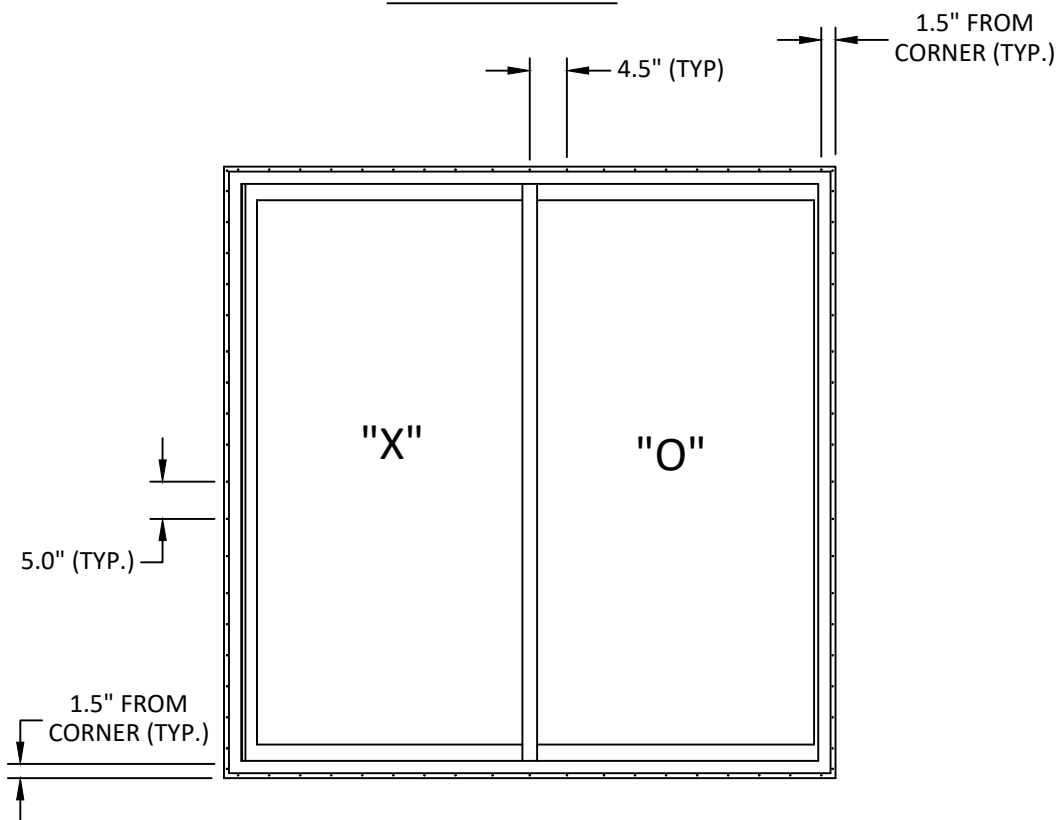
DWG. #: **SWD038**

SHEET:

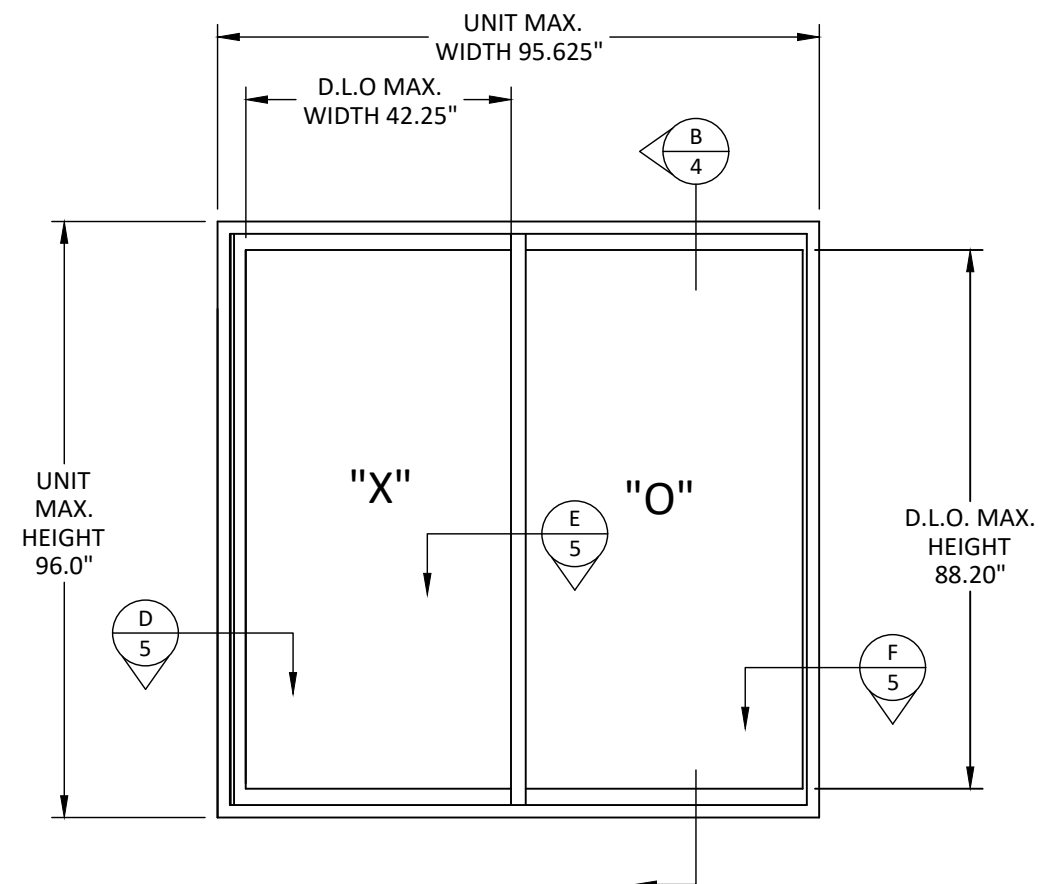
1



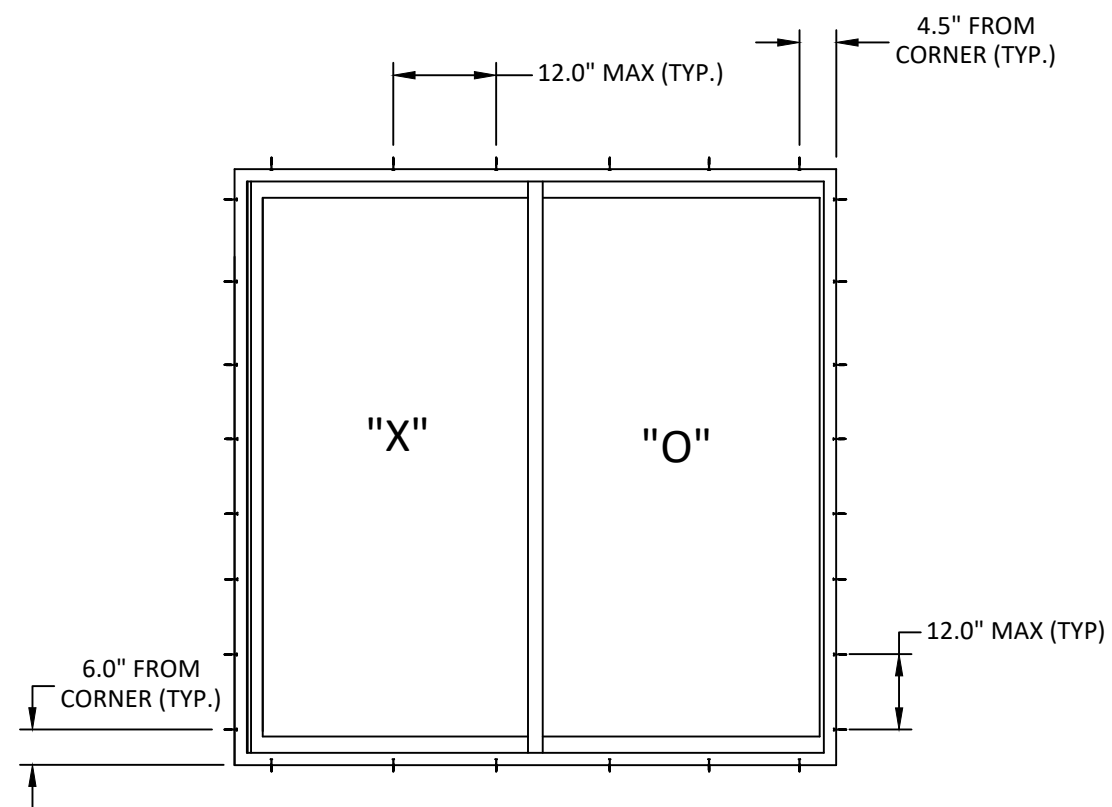
**ELEVATION**



**ANCHOR LAYOUT  
NAIL FIN**



**ELEVATION**



**ANCHOR LAYOUT  
THROUGH FRAME**

AMERICAN CRAFTSMAN WINDOWS  
SILVER LINE WINDOWS AND DOORS

ONE SILVERLINE DRIVE  
NORTH BRUNSWICK, NJ 08902  
PH: (888) 741-0354

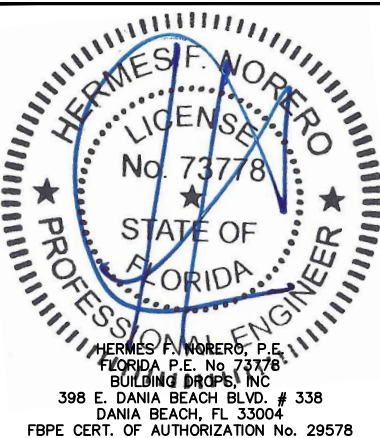
TITLE: 70 SERIES / V3 SERIES / (5800)  
GLIDING PATIO DOOR  
(NON-HVHZ)/(NON-IMPACT)  
ELEVATIONS & ANCHOR LAYOUTS

PREPARED BY:  
**BUILDING DROPS, INC.**  
398 E. DANIA BEACH BLVD., STE. 338  
DANIA BEACH, FL 33004  
PH: (954) 399-8478  
FAX: (954) 744-4738  
WEB: www.buildingdrops.com



| REMARKS         | BY | DATE  |
|-----------------|----|-------|
| 6TH FBC EDITION | FM | 10/17 |
| 7TH FBC EDITION | LH | 10/20 |
|                 |    |       |

THE INSTALLATION DETAILS DESCRIBED HEREIN ARE GENERIC AND MAY NOT REFLECT ACTUAL CONDITIONS FOR A SPECIFIC SITE. IF SITE CONDITIONS CAUSE INSTALLATION TO DEVIATE FROM THE REQUIREMENTS DETAILED HEREIN, A LICENSED ENGINEER OR ARCHITECT SHALL PREPARE SITE SPECIFIC DOCUMENTS FOR USE WITH THIS DOCUMENT.



FL #: **FL 14998**

DATE: **09.27.17**

DWG. BY: **CL**      CHK. BY: **HFN**

SCALE: **NTS**

DWG. #: **SWD038**

SHEET:

**2**

OF 5

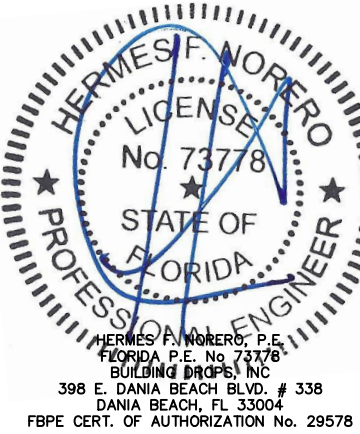
TITLE:  
70 SERIES / V3 SERIES / (5800)  
GLIDING PATIO DOOR  
(NON-HVHZ)/(NON-IMPACT)  
ELEVATIONS & ANCHOR LAYOUTS

PREPARED BY:  
**BUILDING DROPS, INC.**  
398 E. DANIA BEACH BLVD., STE. 338  
DANIA BEACH, FL 33004  
PH: (954) 399-8478  
FAX: (954) 744-4738  
WEB: www.buildingdrops.com



| REMARKS         | BY | DATE  |
|-----------------|----|-------|
| 6TH FBC EDITION | FM | 10/17 |
| 7TH FBC EDITION | LH | 10/20 |
|                 |    |       |

THE INSTALLATION DETAILS DESCRIBED HEREIN ARE GENERIC AND MAY NOT REFLECT ACTUAL CONDITIONS FOR A SPECIFIC SITE. IF SITE CONDITIONS CAUSE INSTALLATION TO DEVIATE FROM THE REQUIREMENTS DETAILED HEREIN, A LICENSED ENGINEER OR ARCHITECT SHALL PREPARE SITE SPECIFIC DOCUMENTS FOR USE WITH THIS DOCUMENT.



FL #: **FL 14998**

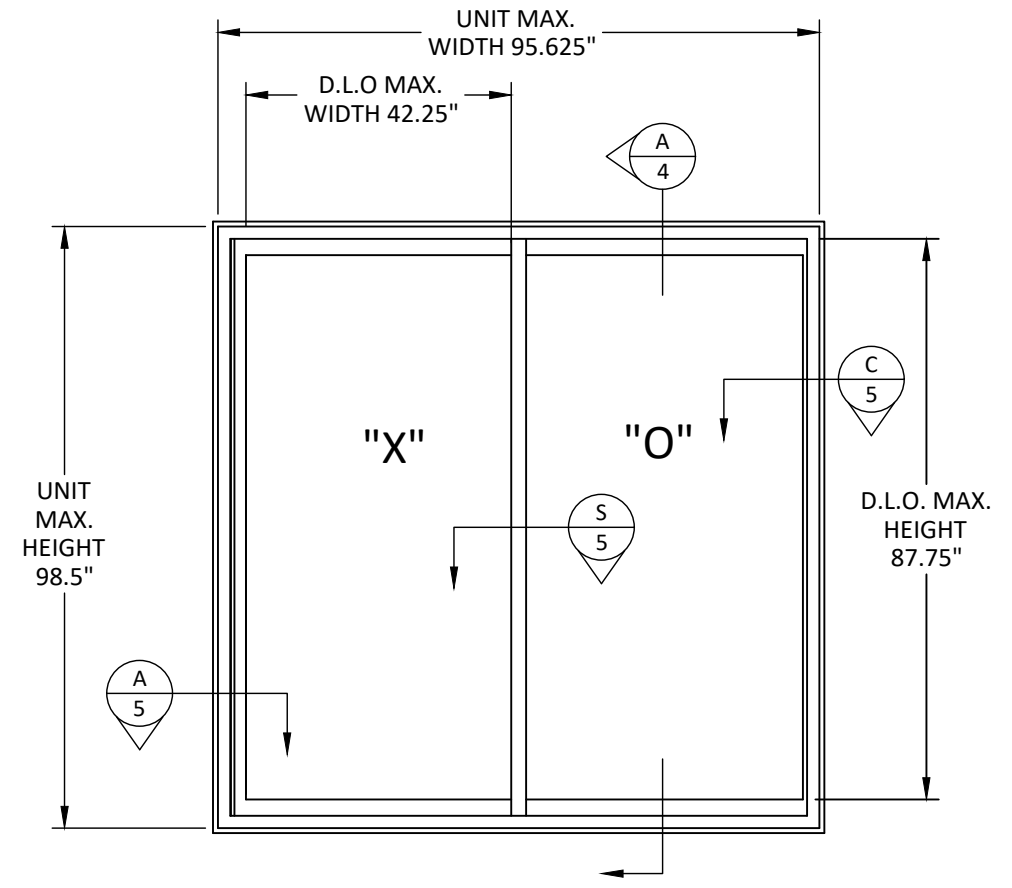
DATE: **09.27.17**

DWG. BY: **CL**      CHK. BY: **HFN**

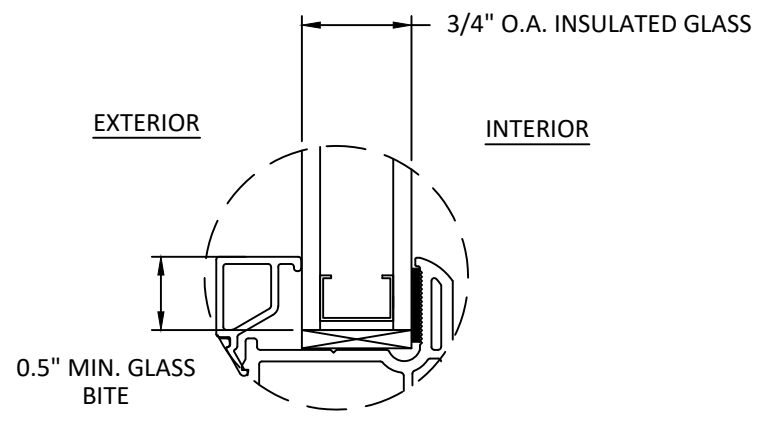
SCALE: **NTS**

DWG. #: **SWD038**

SHEET:  
**2.1**  
OF 5



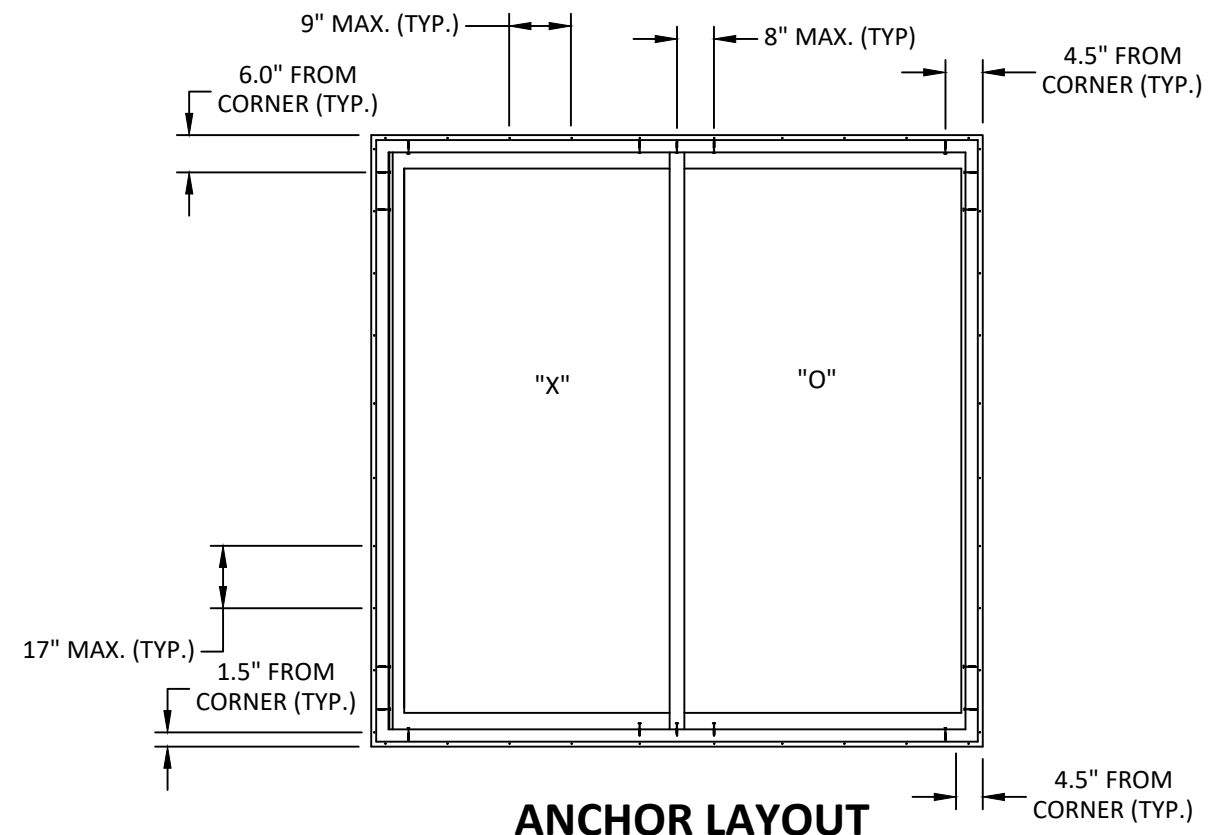
**ELEVATION**



**GLAZING DETAIL**

**GLAZING NOTE:**

- GLASS THICKNESS AND TYPE SHALL COMPLY WITH ASTM E-1300 GLASS CHARTS REQUIREMENT



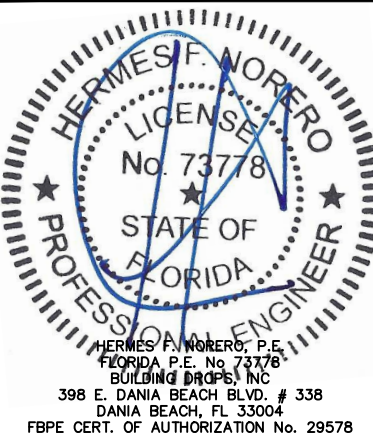
**ANCHOR LAYOUT  
NAIL FIN**

TITLE:  
70 SERIES / V3 SERIES / (5800)  
GLIDING PATIO DOOR  
(NON-HVHZ)/(NON-IMPACT)  
VERTICAL SECTIONS

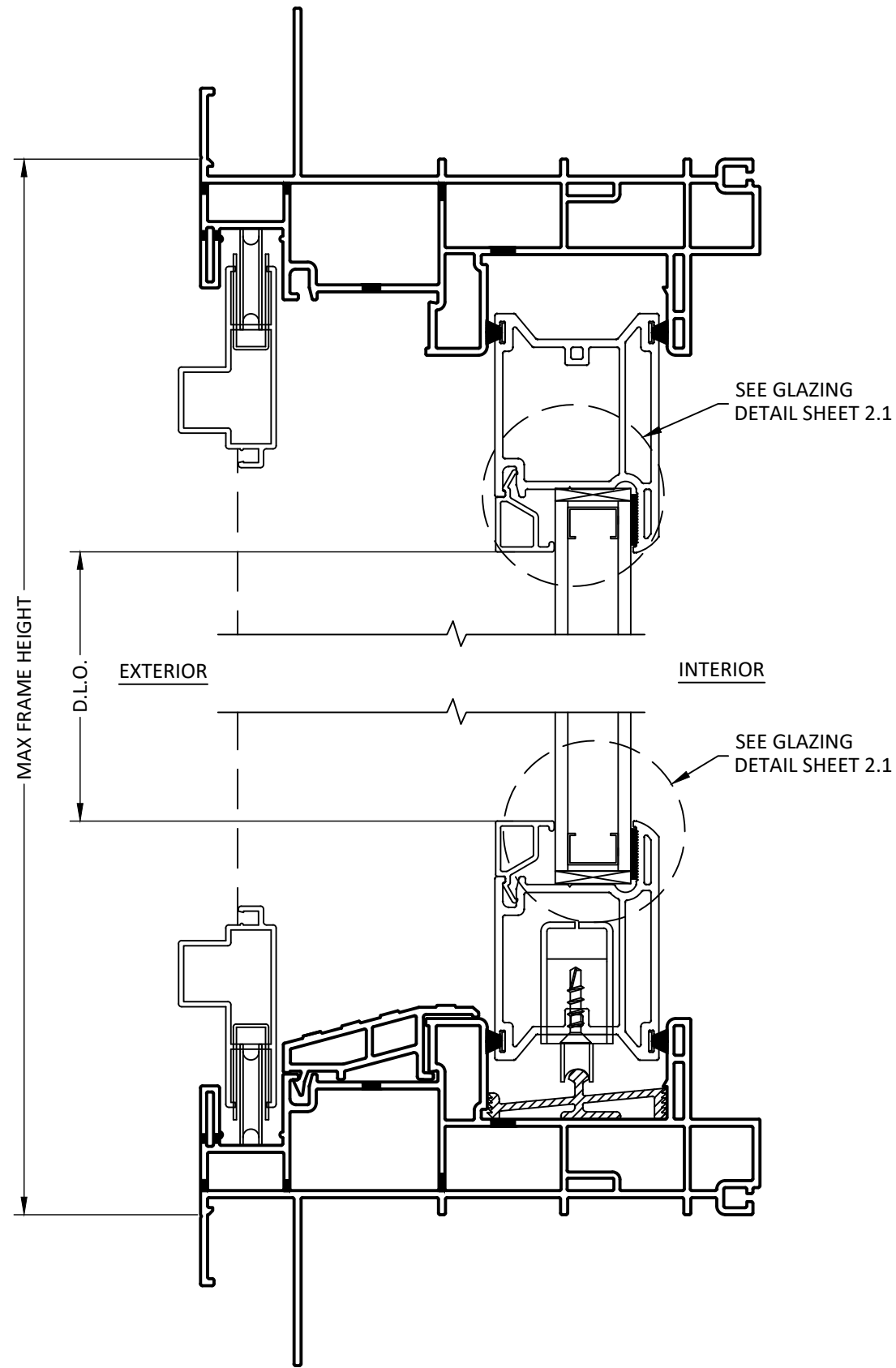
PREPARED BY:  
  
**BUILDING DROPS, INC.**  
398 E. DANIA BEACH BLVD., STE. 338  
DANIA BEACH, FL 33004  
PH: (954) 399-8478  
FAX: (954) 744-4738  
WEB: www.buildingdrops.com

| REMARKS         | BY | DATE  |
|-----------------|----|-------|
| 6TH FBC EDITION | FM | 10/17 |
| 7TH FBC EDITION | LH | 10/20 |
|                 |    |       |
|                 |    |       |

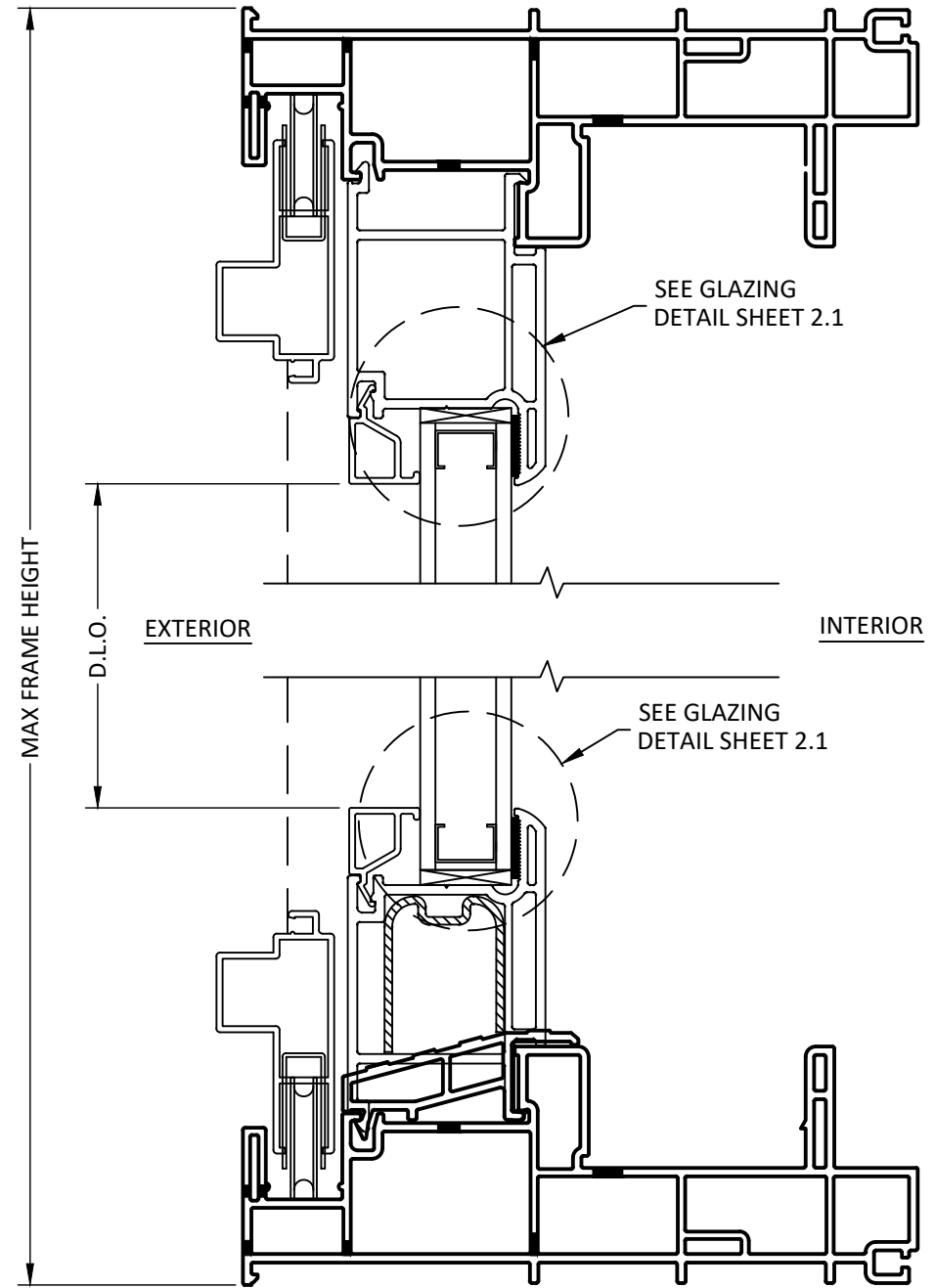
THE INSTALLATION DETAILS DESCRIBED HEREIN ARE GENERIC AND MAY NOT REFLECT ACTUAL CONDITIONS FOR A SPECIFIC SITE. IF SITE CONDITIONS CAUSE INSTALLATION TO DEVIATE FROM THE REQUIREMENTS DETAILED HEREIN, A LICENSED ENGINEER OR ARCHITECT SHALL PREPARE SITE SPECIFIC DOCUMENTS FOR USE WITH THIS DOCUMENT.



|          |                 |
|----------|-----------------|
| FL #:    | <b>FL 14998</b> |
| DATE:    | <b>09.27.17</b> |
| DWG. BY: | CL              |
| CHK. BY: | HFN             |
| SCALE:   | NTS             |
| DWG. #:  | SWD038          |
| SHEET:   | 3               |



**A**  
**3** VERTICAL SECTION  
NAIL FIN



**B**  
**3** VERTICAL SECTION  
THROUGH FRAME



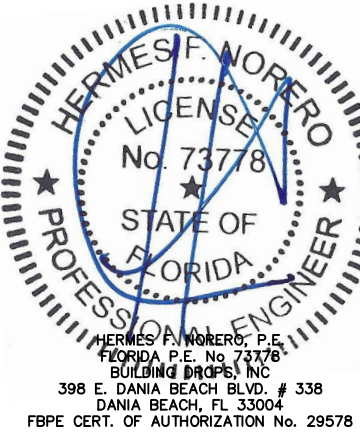
TITLE:  
70 SERIES / V3 SERIES / (5800)  
GLIDING PATIO DOOR  
(NON-HVHZ)/(NON-IMPACT)  
HORIZONTAL SECTIONS

PREPARED BY:  
**BUILDING DROPS, INC.**  
398 E. DANIA BEACH BLVD., STE. 338  
DANIA BEACH, FL 33004  
PH: (954) 399-8478  
FAX: (954) 744-4738  
WEB: www.buildingdrops.com



| REMARKS         | BY | DATE  |
|-----------------|----|-------|
| 6TH FBC EDITION | FM | 10/17 |
| 7TH FBC EDITION | LH | 10/20 |
|                 |    |       |
|                 |    |       |

THE INSTALLATION DETAILS DESCRIBED HEREIN ARE GENERIC AND MAY NOT REFLECT ACTUAL CONDITIONS FOR A SPECIFIC SITE. IF SITE CONDITIONS CAUSE INSTALLATION TO DEVIATE FROM THE REQUIREMENTS DETAILED HEREIN, A LICENSED ENGINEER OR ARCHITECT SHALL PREPARE SITE SPECIFIC DOCUMENTS FOR USE WITH THIS DOCUMENT.



FL #:  
**FL 14998**

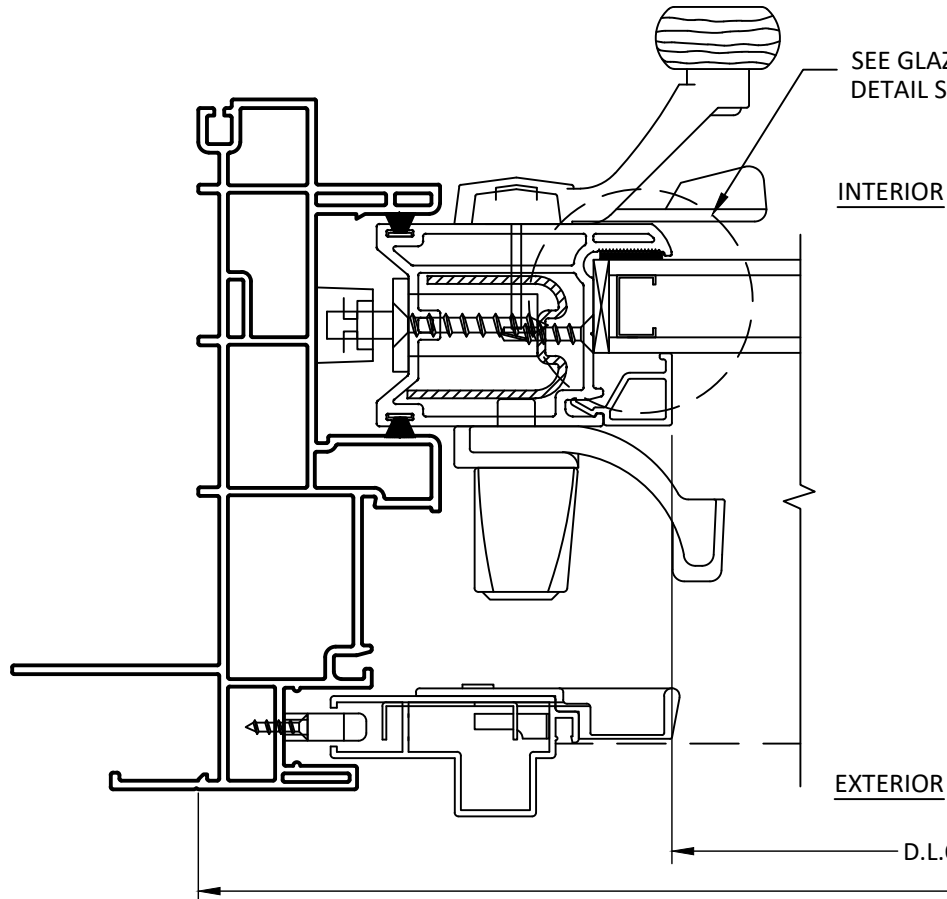
DATE: **09.27.17**

DWG. BY: **CL**      CHK. BY: **HFN**

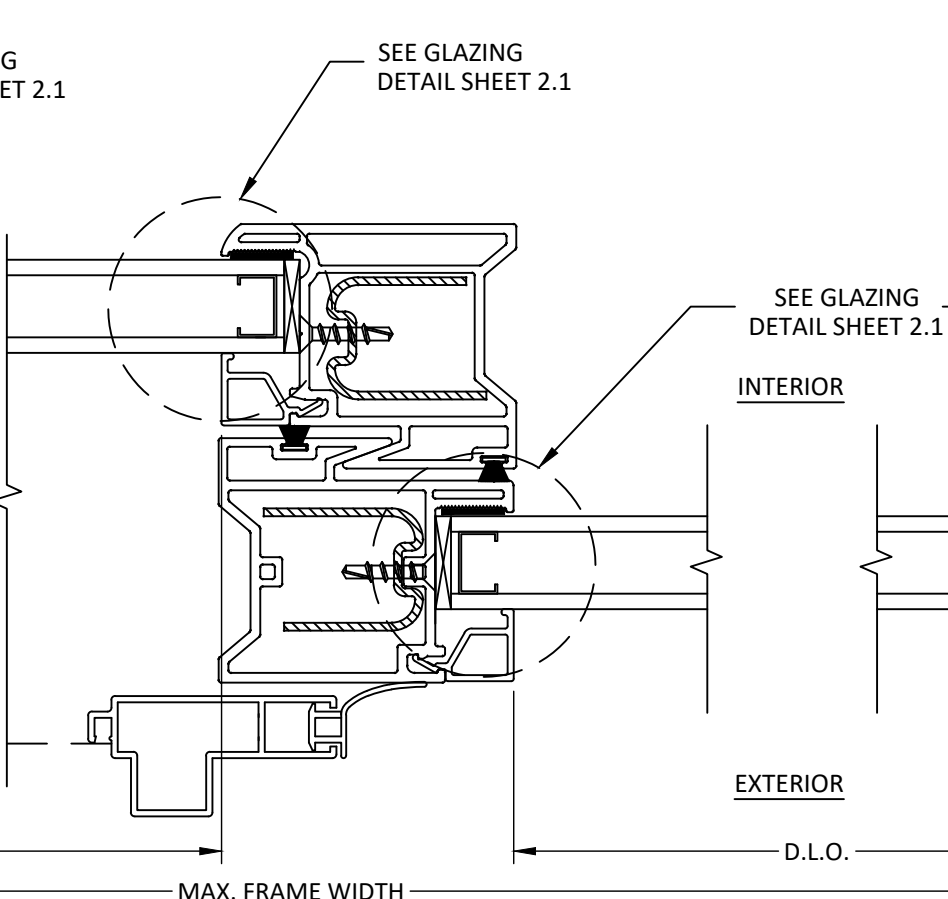
SCALE: **NTS**

DWG. #: **SWD038**

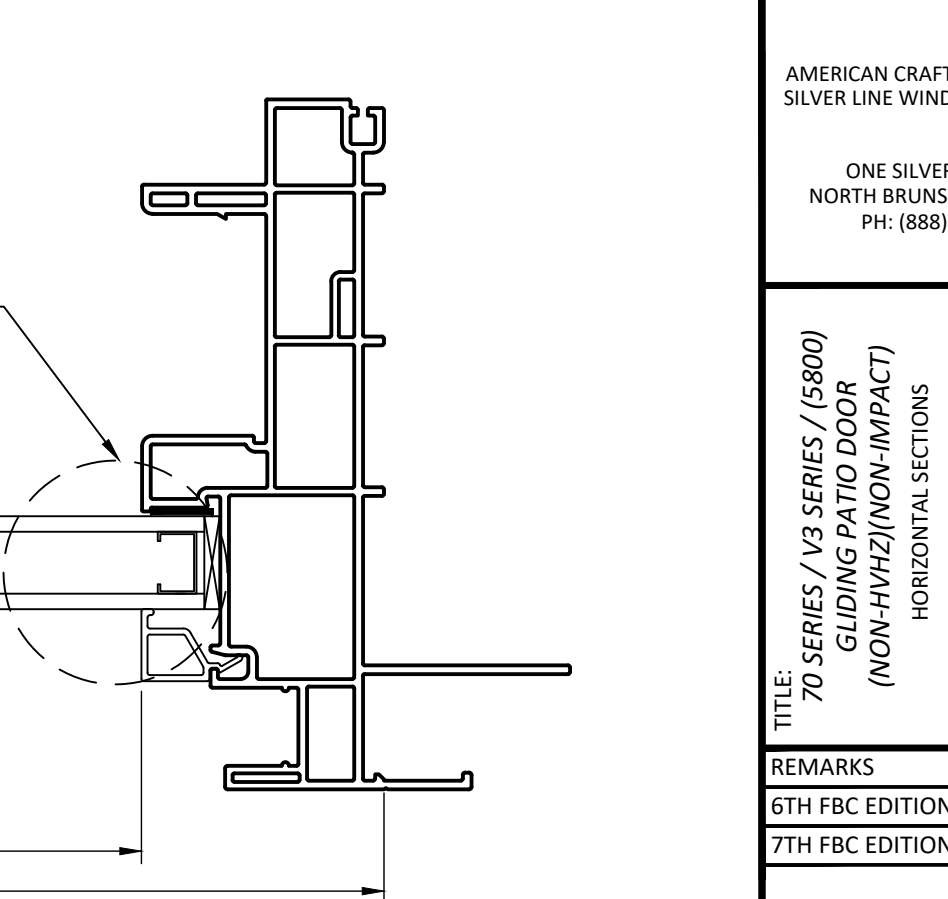
SHEET:  
**4**  
OF 5



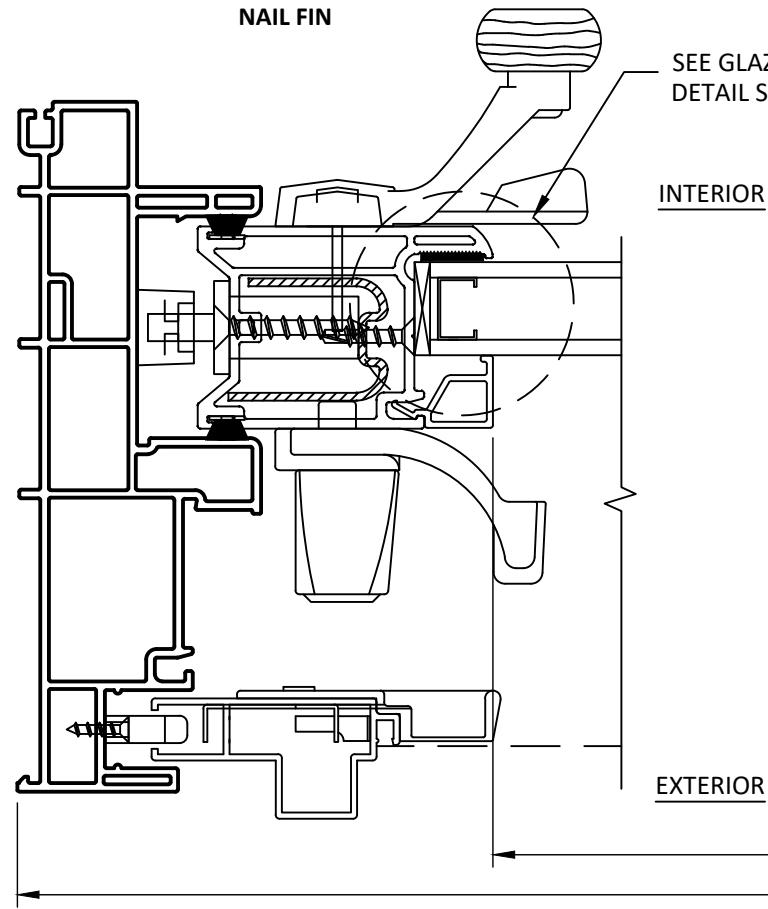
**A**  
**4** **HORIZONTAL SECTION**  
NAIL FIN



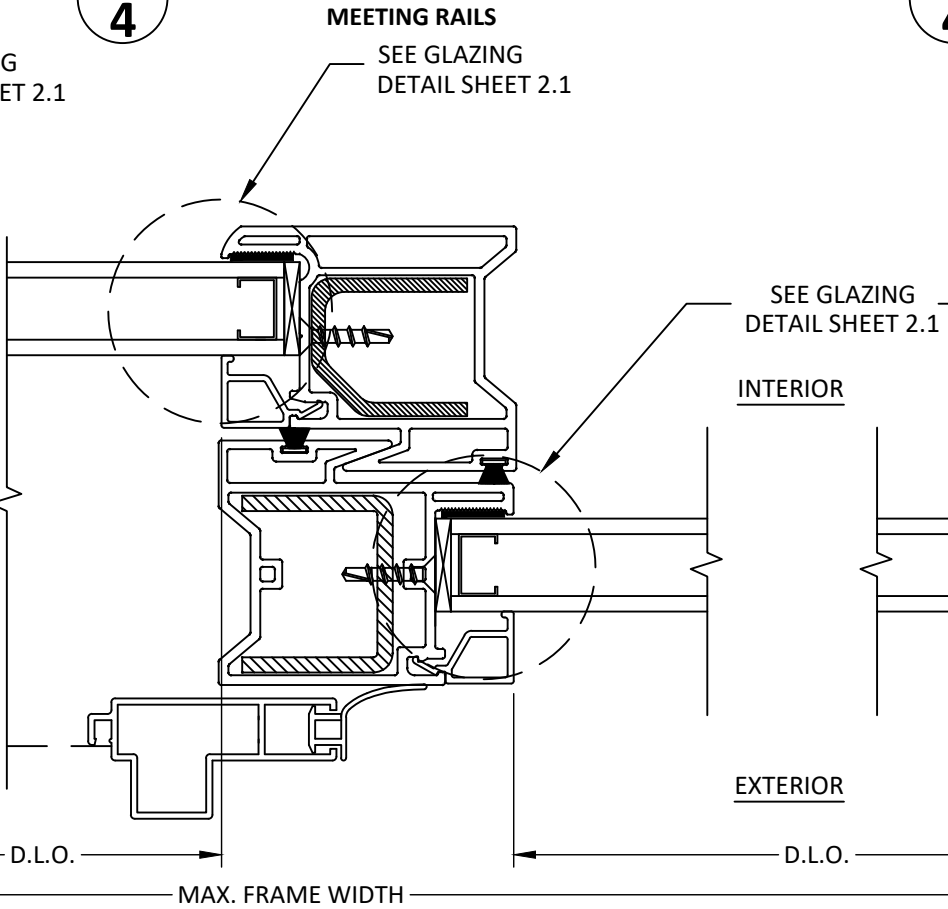
**B**  
**4** **HORIZONTAL SECTION**  
MEETING RAILS



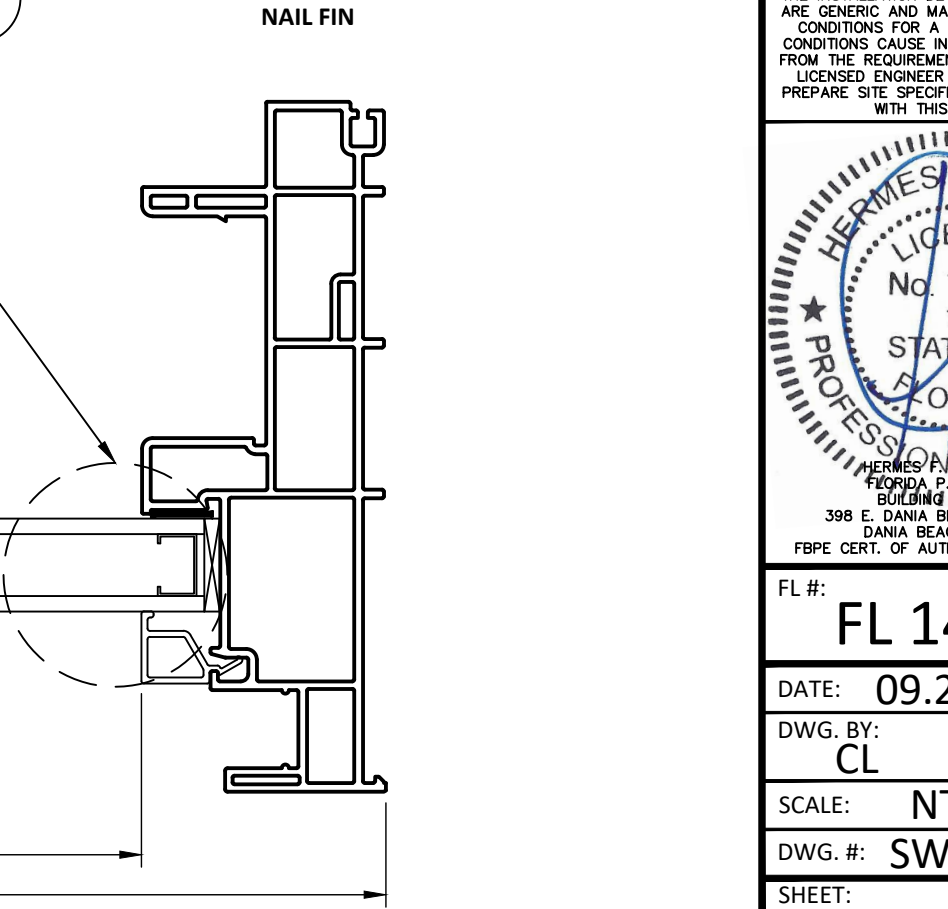
**C**  
**4** **HORIZONTAL SECTION**  
NAIL FIN



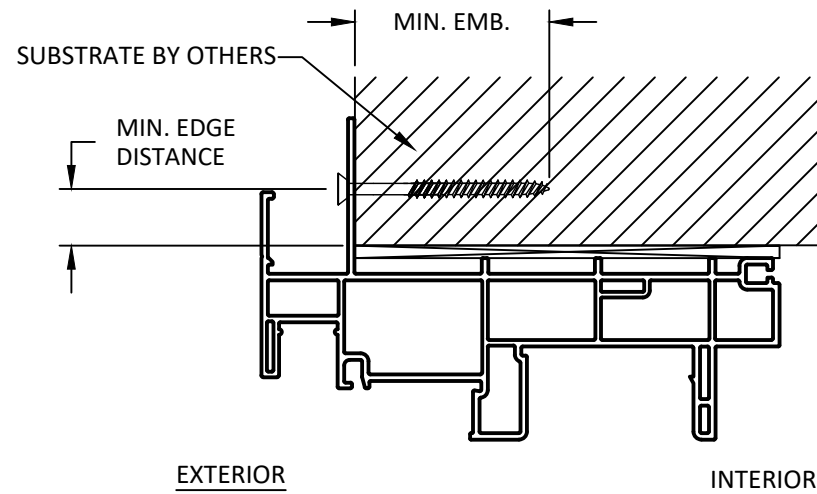
**D**  
**4** **HORIZONTAL SECTION**  
THROUGH FRAME



**E**  
**4** **HORIZONTAL SECTION**  
MEETING RAILS



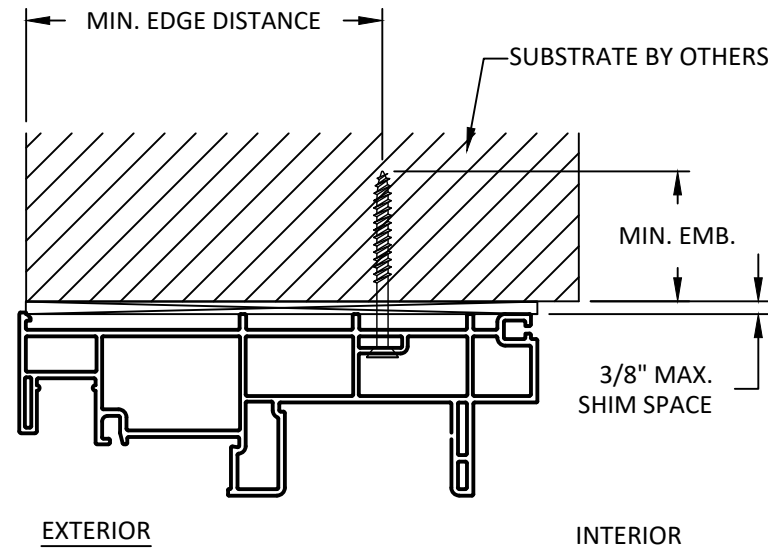
**F**  
**4** **HORIZONTAL SECTION**  
THROUGH FRAME



EXTERIOR INTERIOR

**A**  
**5** **ANCHOR DETAIL**  
NAIL FIN (HEAD)

NOTE:  
SILL AND JAMB HAVE SIMILAR DETAILS



EXTERIOR INTERIOR

**B**  
**5** **ANCHOR DETAIL**  
THROUGH FRAME (HEAD)

| ANCHOR SCHEDULE |  |                 |  |                    |
|-----------------|--|-----------------|--|--------------------|
| METHOD          | SUBSTRATE                              | ANCHOR SCHEDULE | MIN EMBEDMENT                          | MIN. EDGE DISTANCE |
| THROUGH FRAME   | WOOD: MIN. SG = 0.55                   | #14 WOOD SCREW  | 1.5"                                   | 0.75"              |
|                 | METAL: 18 GAUGE Steel, MIN. Fy = 33KSI | #14 TEK SCREW   | 3 THREADS MIN PENETRATION BEYOND METAL | 0.75"              |
|                 | CONCRETE: f <sub>c</sub> =2000PSI      | 1/4" ITW TAPCON | 1"                                     | 2.5"               |
|                 | MASONRY: CMU per ASTM C90              | 1/4" ITW TAPCON | 1"                                     | 2.5"               |
| NAIL FIN        | WOOD: MIN. SG = 0.55                   | #8 WOOD SCREW   | 1.5"                                   | 0.75"              |
|                 | METAL: 18 GAUGE Steel, MIN. Fy = 33KSI | #8 TEK SCREW    | 3 THREADS MIN PENETRATION BEYOND METAL | 0.75"              |

INSTALLATION NOTES

- ONE (1) INSTALLATION ANCHOR IS REQUIRED AT EACH ANCHOR LOCATION SHOWN.
- THE NUMBER OF INSTALLATION ANCHORS DEPICTED IS THE MINIMUM NUMBER OF ANCHORS TO BE USED FOR PRODUCT INSTALLATION OF THE MAXIMUM SIZE LISTED.
- INSTALL INDIVIDUAL INSTALLATION ANCHORS WITHIN A TOLERANCE OF ±1.000 INCH THE DEPICTED LOCATION & SPACING IN THE ANCHOR LAYOUT DETAILS (I.E., WITHOUT CONSIDERATION OF TOLERANCES). TOLERANCES ARE NOT CUMULATIVE FROM ONE INSTALLATION ANCHOR TO THE NEXT.
- SHIM AS REQUIRED AT EACH INSTALLATION ANCHOR WITH LOAD BEARING SHIM(S). MAXIMUM ALLOWABLE SHIM STACK TO BE 3/8 INCH. SHIM WHERE SPACE OF 1/16 INCH OR GREATER OCCURS. SHIM(S) SHALL BE CONSTRUCTED OF HIGH DENSITY PLASTIC OR BETTER.
- MINIMUM EMBEDMENT AND EDGE DISTANCE EXCLUDE WALL FINISHES, INCLUDING BUT NOT LIMITED TO STUCCO, FOAM, BRICK VENEER, AND SIDING.
- INSTALLATION ANCHORS AND ASSOCIATED HARDWARE MUST BE MADE OF CORROSION RESISTANT MATERIAL OR HAVE A CORROSION RESISTANT COATING.
- FOR MASONRY OR CONCRETE OPENINGS, A 1X WOOD BUCK MAY BE USED (OPTIONAL) AS LONG AS THE MINIMUM EMBEDMENT AND EDGE DISTANCE REQUIREMENTS ARE STILL MET WITHIN THE CORRESPONDING HOST SUBSTRATE. SEE GENERAL NOTE #3 ON SHEET 1 FOR MORE INFORMATION.
- FOR HOLLOW BLOCK AND GROUT FILLED BLOCK, DO NOT INSTALL INSTALLATION ANCHORS INTO MORTAR JOINTS. EDGE DISTANCE IS MEASURED FROM FREE EDGE OF BLOCK OR EDGE OF MORTAR JOINT INTO FACE SHELL OF BLOCK.
- INSTALLATION ANCHORS SHALL BE INSTALLED IN ACCORDANCE WITH ANCHOR MANUFACTURER'S INSTALLATION INSTRUCTIONS, AND ANCHORS SHALL NOT BE USED IN SUBSTRATES WITH STRENGTHS LESS THAN THE MINIMUM STRENGTH SPECIFIED BY THE ANCHOR MANUFACTURER.

AMERICAN CRAFTSMAN WINDOWS  
SILVER LINE WINDOWS AND DOORS

ONE SILVERLINE DRIVE  
NORTH BRUNSWICK, NJ 08902  
PH: (888) 741-0354

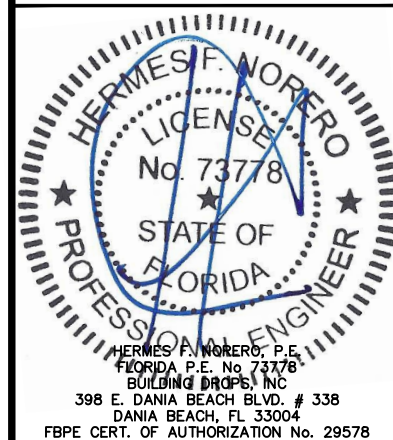
TITLE:  
70 SERIES / V3 SERIES / (5800)  
GLIDING PATIO DOOR  
(NON-HVHZ)/(NON-IMPACT)  
INSTALLATION NOTES  
& ANCHOR DETAILS & SCHEDULE

PREPARED BY:  
BUILDING DROPS, INC.  
398 E. DANIA BEACH BLVD., STE. 338  
DANIA BEACH, FL 33004  
PH: (954) 399-8478  
FAX: (954) 744-4738  
WEB: www.buildingdrops.com



| REMARKS         | BY | DATE  |
|-----------------|----|-------|
| 6TH FBC EDITION | FM | 10/17 |
| 7TH FBC EDITION | LH | 10/20 |
|                 |    |       |

THE INSTALLATION DETAILS DESCRIBED HEREIN ARE GENERIC AND MAY NOT REFLECT ACTUAL CONDITIONS FOR A SPECIFIC SITE. IF SITE CONDITIONS CAUSE INSTALLATION TO DEVIATE FROM THE REQUIREMENTS DETAILED HEREIN, A LICENSED ENGINEER OR ARCHITECT SHALL PREPARE SITE SPECIFIC DOCUMENTS FOR USE WITH THIS DOCUMENT.



FL #: **FL 14998**

DATE: **09.27.17**

DWG. BY: **CL** CHK. BY: **HFN**

SCALE: **NTS**

DWG. #: **SWD038**

SHEET:

**5**

OF 5